



A Tsurumi Pump Company

PRODUCT DATA SHEET

DRG DRAINAGE

ZEN-DRG200/4/80HM0ETEX | 807389

PRODUCT DETAILS

Suitable for use in applications that have unstrained soiled biological wastewaters and sewage and also for civil lifting applications. The DRG can be used in wastewater treatment plants, sewer systems, livestock farms, industry and agriculture.

Cast-iron construction with 2 opposed silicon carbide mechanical seals in an inspectable oil sump, anticlogging system. Includes a 10m cable.

APPLICATIONS

The DRG features a cast-iron, open-channel impeller with large free-passage solids handling, designed for the recirculation of industrial and process waters, civil drainage lifting stations, and the drainage and recovery of first-flush storm-water. Suitable for heavy-duty professional and industrial use.

FEATURES

- Cast-iron body, impeller and flange EN-GJL250
- AISI 431 motor shaft
- 4-pole, 3-phase motor
- Class H insulation [180°C]
- IP68 protection
- Thermal protections integrated into the stator
- Moisture detection probe fitted to mechanical seal oil chamber
- Two-component epoxy painting 150µm
- Two silicon carbide [SiC] mechanical seals inside the oil chamber
- Cable length 10m



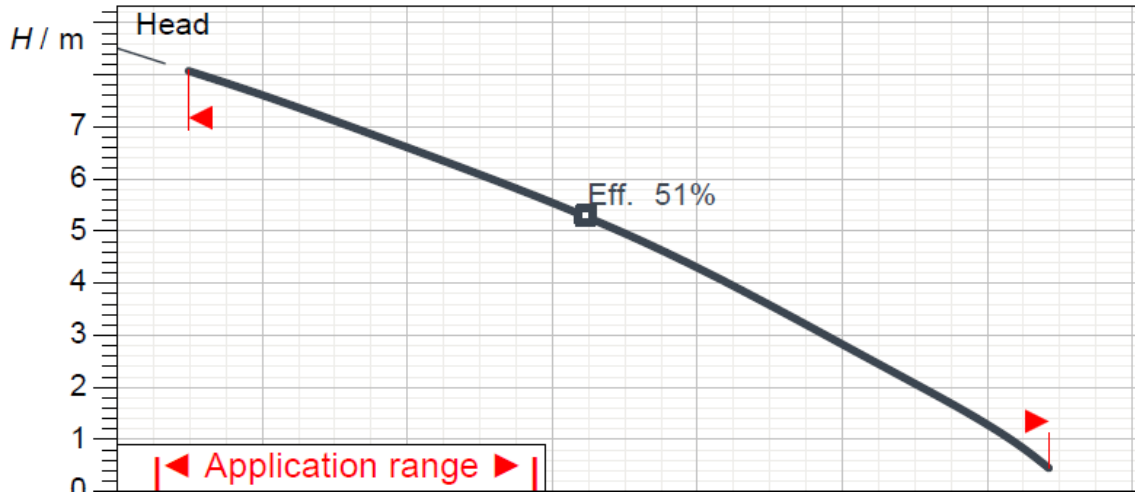
IMAGE INDICATIVE ONLY

TECHNICAL DATA

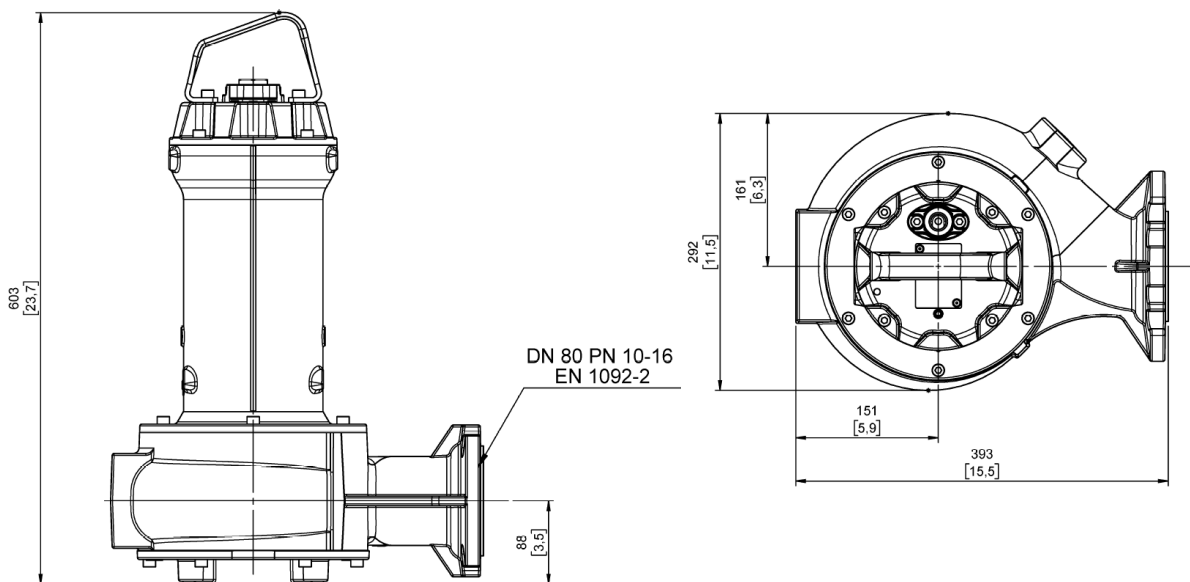
RATED POWER P1 / P2	1.8kW / 1.5kW
MAX. FLOW [Q]	25.8 L/sec
MAX. HEAD [M]	8.2 m
MOTOR INSULATION	H Class
PROTECTION CLASS	IP68
MOTOR PROTECTION	Thermal protection and moisture detection
MOTOR DUTY	Continuous Use S1
MAX. LIQUID TEMPERATURE	40°C
MECHANICAL SEAL	Dual Silicon Carbide
MAX. DENSITY AND PH	1.100 kg/m ³ pH 6 – 14

RATED VOLTAGE	400V 3ph 50Hz
MOTOR POLES	4-pole
CURRENT	Rated FLC 3.4A DOL current 16.1A
POWER CABLE TYPE	10m H07RN-F Cable
MAX. HYDRAULIC EFFICIENCY	51%
FREE PASSAGE	45 mm
IMPELLER TYPE	Open-channel impeller
SUCTION	DN100
OUTLET	DN80
WEIGHT (KG)	55.2 kg (pump only)

CURVE



DIMENSIONS



WARRANTY / CERTIFICATIONS

